

HP Baghouse Collectors

Models HPW/HPT 64-320

Reliable, versatile and high performance design handles intermediate-to-high air volumes at low operating pressure drops.



160HPW8



160HPT8

- Powerflo™ Cleaning System allows a significantly higher air-to-cloth ratio, resulting in smaller overall system size.
- Dura-Life™ bag technology provides better surface loading and pulse cleaning resulting in two-to-three times longer filter bag life when changing bags due to pressure drop.
- Dura-Life bags offer 30% fewer emissions than standard polyester bags.
- Bag service from the clean-air side of collector makes filter changeout more convenient, easier and faster.
- High air inlet reduces updraft velocities by using gravity to separate heavier particles, extending bag life and lowering bag replacement and maintenance costs.
- Lower operating costs achieved through a low pressure drop.
- Space-saving design offers a flexible low profile.
- Compact design makes collector easier to ship and install, lowering freight and installation costs.

HP Baghouse Collectors

Operational Explanation

All-Welded Construction

Heavy-duty ribbed panel housing construction is factory assembled for easy field installation. Heavy-duty tubesheet is 1/4-in steel plate construction.

Positive Seal Boltsafe™ Cages

Provide electrical grounding, easy bag changeout, reduced bag sway, and an airtight seal to the tubesheet. Cages will not rise out of position once they are installed.

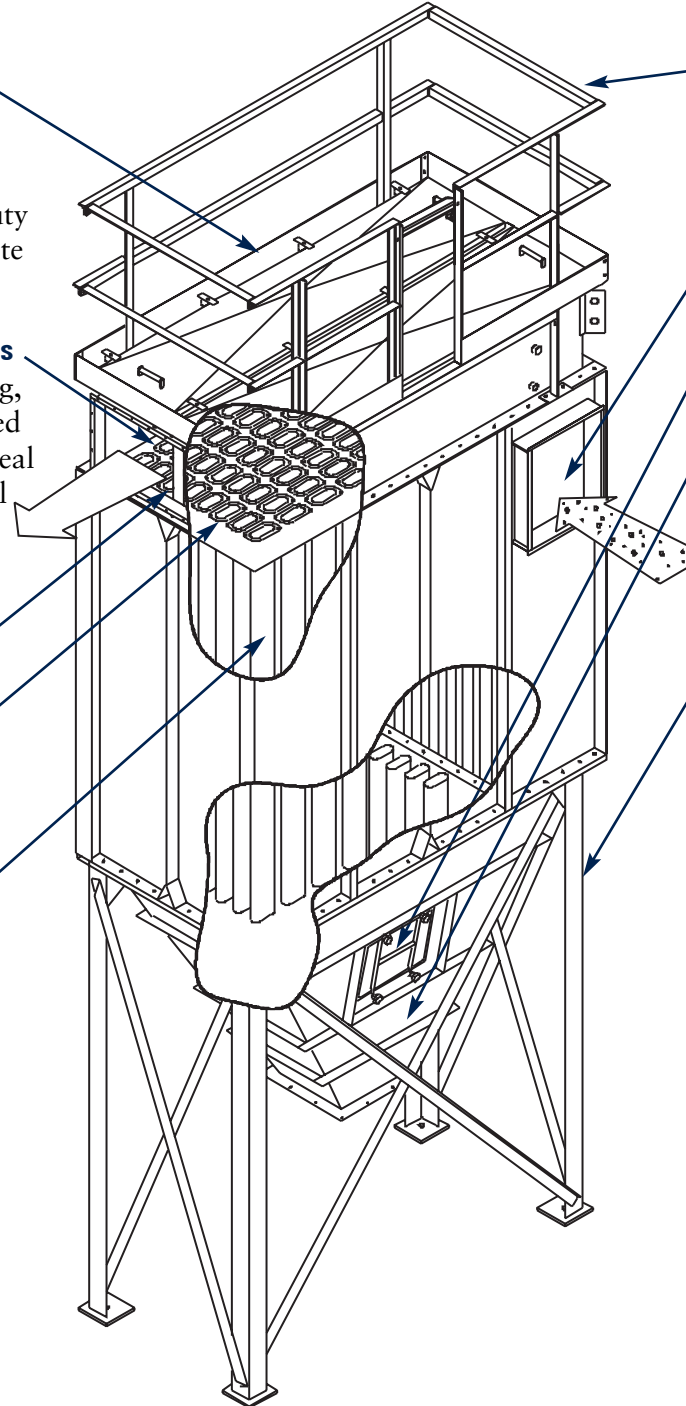
Standard Rectangular Outlet

Powerflo Cleaning System

Super-sonic nozzles' "converging/diverging" design provides an intermittent jet of powerful high volume induced air for efficient bag cleaning.

Oval Bags

Provide more radial bag movement during the cleaning cycle, resulting in longer bag life and lower pressure drop.



Service Railing and Kickplate (HPT only)

Standard compliance with OSHA regulations.

High Inlet Design

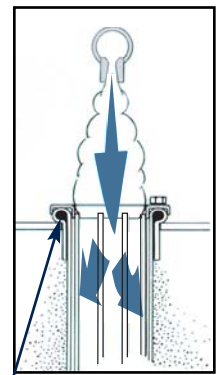
19 x 14-in Standard Access Panel

Standard Single Outlet Hopper

Terminates to an 18-in square opening. Double outlet hoppers are optional.

Standard Leg Pack

48-in clearance features structural design. Optional leg pack with 78-in clearance is available.

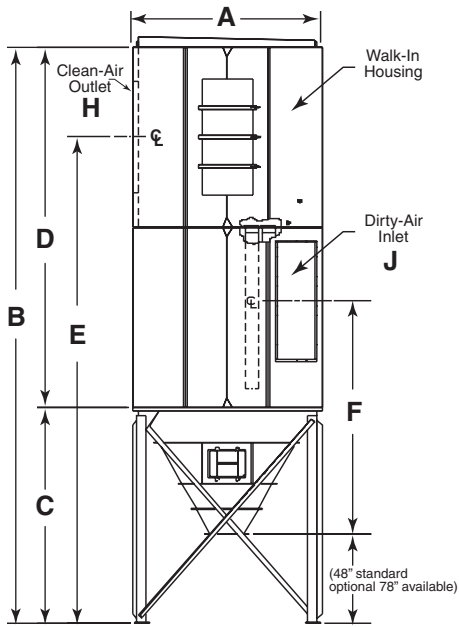


O-ring collar assures positive seal between clean and dirty air plenum.

Easy to install—built to last.

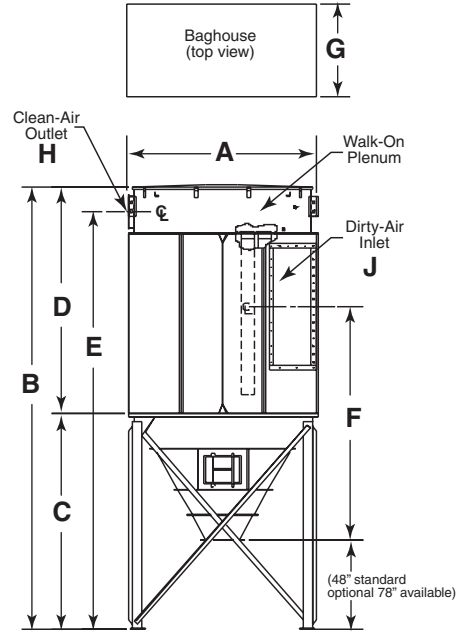
HP Baghouse Collectors

Dimensions & Specifications



HPW (Walk-In)

Walk-in plenum provides weather protection during maintenance.



HPT (Top-Access)

Bag maintenance is not subject to confined space rules. Model is often used in hot climates.

Model*	Nominal Airflow Range (cfm)**	Filter Area (ft ²)	Dimensions (inches)									Shipping Weight (lbs)
			A	B	C	D	E	F	G	H	J	
64 HPW	6400 - 10,200	637	102.0	315.8	116.0	199.8	261.8	192.5	52.0	30 x 58	20 x 25	5538
80 HPW	8000 - 12,800	795	102.0	315.8	116.0	199.8	261.8	189.5	62.0	30 x 58	20 x 31	6259
96 HPW	9600 - 17,280	954	102.0	315.8	116.0	199.8	261.8	186.0	72.0	30 x 58	20 x 38	6712
128 HPW	12,800 - 20,500	1272	102.0	315.8	116.0	199.8	261.8	180.0	92.0	30 x 58	20 x 50	7837
160 HPW	16,000 - 25,600	1590	102.0	315.8	116.0	199.8	261.8	173.5	112.0	30 x 58	20 x 63	8714
192 HPW	19,200 - 30,700	1908	192.0	331.5	131.7	199.8	277.5	196.7	72.0	40 x 47	32 x 48	12,500
256 HPW	25,600 - 41,000	2544	192.0	331.5	131.7	199.8	277.5	188.7	92.0	40 x 63	32 x 64	14,000
320 HPW	32,000 - 51,200	3180	192.0	331.5	131.7	199.8	277.5	183.2	112.0	40 x 78	32 x 80	17,000
64 HPT	6400 - 10,200	637	102.0	280.2	116.0	123.4	224.5	192.5	52.0	39 x 15.5	20 x 25	4890
80 HPT	8000 - 12,800	795	102.0	280.2	116.0	123.4	224.5	189.5	62.0	49 x 15.5	20 x 31	5581
96 HPT	9600 - 17,280	954	102.0	280.2	116.0	123.4	224.5	186.0	72.0	59 x 15.5	20 x 38	6006
128 HPT	12,800 - 20,500	1272	102.0	280.2	116.0	123.4	224.5	180.0	92.0	79 x 15.5	20 x 50	7087
160 HPT	16,000 - 25,600	1590	102.0	280.2	116.0	123.4	224.5	173.5	112.0	99 x 15.5	20 x 63	8018
192 HPT	19,200 - 30,700	1908	192.0	255.5	131.7	123.4	240.1	196.7	72.0	59 x 15.5 (2)	32 x 48	10,300
256 HPT	25,600 - 41,000	2544	192.0	255.5	131.7	123.4	240.1	188.7	92.0	79 x 15.5 (2)	32 x 64	11,700
320 HPT	32,000 - 51,200	3180	192.0	255.5	131.7	123.4	240.1	183.2	112.0	99 x 15.5 (2)	32 x 80	14,500

* Model number indicates quantity of 8-ft. long filter bags.

** Based on clean filters.

HP Baghouse Collectors

Standard Features & Equipment Options

	Standard	Optional
Collector Design		
HPW walk-in clean air plenum with top bag removal	X	
HPT walk-on clean air plenum with top bag removal	X	
All-Welded Design - 12 Gauge Minimum	X	
Heavy-Duty 1/4-in Plate Steel Tubesheet	X	
Ladder, Cage & Service Platform (OSHA Compliant)		X
Single Hopper Outlet 18-in. Square	X	
Hopper Access Panel	X	
Rectangular Outlet	X	
Stainless Steel Construction		X
High Temperature Construction		X
Volume Control Damper		X
Fan Silencers		X
Fan Packages		X
Bags & Cages		
Dura-Life Twice the Life Polyester Felt Bags	X	
Positive Boltsafe™ Hardware	X	
Variety of Bag Media Options		X
Paint System		
Blue Exterior Finish Coating Meets 250-Hour Salt Spray Corrosion Protection Test	X	
Hostile Environment Paint		X
Custom Colors		X

	Standard	Optional
Hopper Design		
60° Pyramid Hoppers	X	
Double Outlet Hopper		X
Trough Hopper		X
Hopper Discharge		
Slide Gate		X
Rotary Valves		X
Support Structure		
48" Clearance Leg Pack	X	
78" Clearance Leg Pack		X
Electrical Controls, Gauges and Enclosures		
Magnehelic®* Gauge	X	
NEMA 4 Solenoid Valves, 50/60 Hz	X	
NEMA 4 Pulse Controls, 120 VAC, 50-60 Hz	X	
Photohelic® Gauge		X
Electrical Control Panels		X
Safety Features		
Explosion Vents		X
Sprinkler Taps		X
Warranty		
10-Year Warranty	X	

* Magnehelic and Photohelic are registered trademarks of Dwyer Instruments, Inc.



Donaldson Company, Inc.
Industrial Air Filtration
P.O. Box 1299
Minneapolis, MN 55440
Tel 800-365-1331(USA)
Tel 800-343-3639 (within Mexico)
dustmktg@mail.donaldson.com
www.donaldson.com

Significantly improve the performance of your collector with genuine Donaldson Torit replacement filters and parts.

Visit us at www.donaldsondynamic.com

Information in this document is subject to change without notice.

© 1999 Donaldson Co., Inc.
Printed in U.S.A. on recycled paper

Data Sheet HP (09/05)

